

PAR LIGHTS



Wide Beam



Narrow Beam

PAR 20, PAR 30, PAR 38

SPECIFICATION

and

ORDERING CATALOG

www.u-tron.com



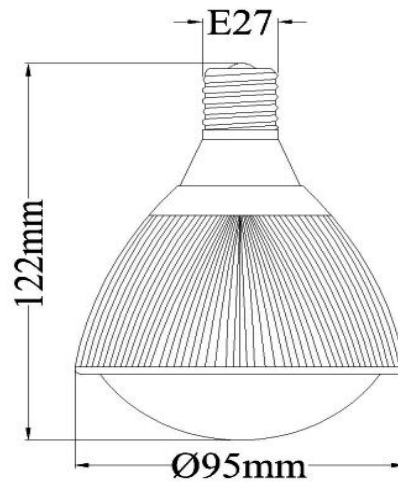
PAR Lights



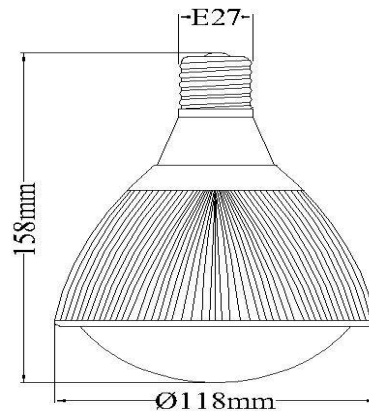
The Drago PAR Lights, an LED energy saving light is the ideal replacement for conventional incandescent and CFL lights. U-Tron's innovative design uses high power Cree LEDs to bring energy savings to your home or office. The Helios is the perfect solution for general lighting applications



Drago PAR 30



Drago PAR 38

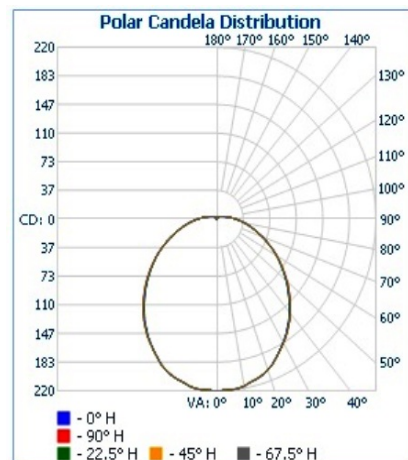
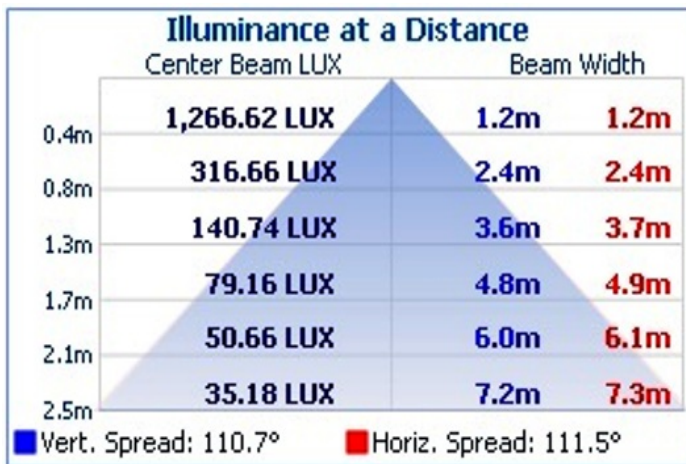




PAR Lights

Product Technical Data

	Specs	Drago PAR30	Drago PAR38
General Information	Socket Type	E27	E27
	Life Span	50,000Hrs	50,000Hrs
	Dimension(mm)	122x95	158x120
	Weight (kg)	0.16	0.265
Light Characteristics	Lumens (lm)	600-850	1055-1400
	Efficacy (lm/w)	85lm/W	87lm/W
	Beam Angle	120°-130°	120°-130°
	CCT (K)	2700K-6000K	2700K-6000K
	CRI	>80	>80
Electrical Characteristics	Wattage (W)	8W,10W	12W,16W
	Input Voltage (VAC)	110,220,100-220	110,220,100-220
	Power Factor	0.9	0.9
IP Rating		IP54	IP54
Warranty		3 yrs	3 yrs



Drago PAR 30 Polar Candela and Illuminance @ a distance

PAR Lights

www.u-tron.com



Product Part Numbers

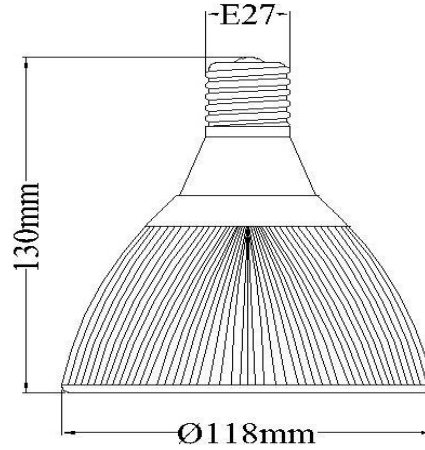
Part Number	Product Name	Wattage	CCT
68D2-P06-27Q508UNE27D	Drago PAR30	8W	2700K-3000K
68D2-P06-40R408UNE27D			4000K
68D2-P06-50R508UNE27D			5000-6000K
68D2-P08-27Q508UNE27D	Drago PAR30	10W	2700K-3000K
68D2-P08-40R408UNE27D			4000K
68D2-P08-50R508UNE27D			5000-6000K
68D3-P10-27Q508UNE27D	Drago PAR38	12W	2700K-3000K
68D3-P10-40R408UNE27D			4000K
68D3-P10-50R508UNE27D			5000-6000K
68D3-P12-27Q508UNE27D	Drago PAR38	16W	2700K-3000K
68D3-P12-40R408UNE27D			4000K
68D3-P12-50R508UNE27D			5000-6000K

PAR Lights

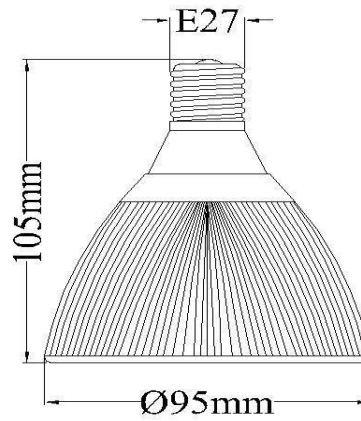
The Comet PAR Lights, an LED energy saving light is the ideal replacement for conventional incandescent and CFL lights. U-Tron's innovative design uses high power Cree LEDs to bring energy savings to your home or office. The Helios is the perfect solution for general lighting applications



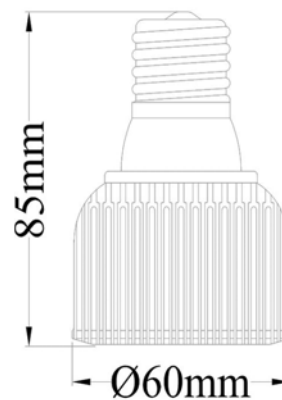
Comet PAR 38



Comet PAR 30



Comet PAR 30

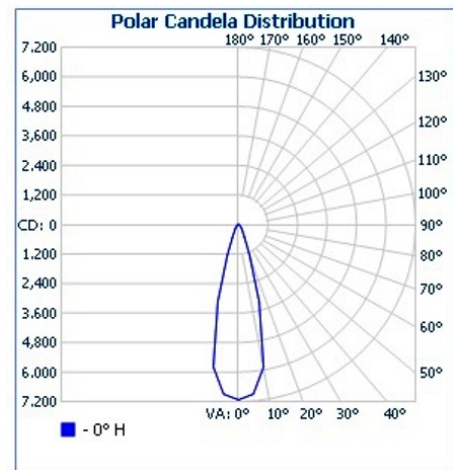


PAR Lights



Product Technical Data

	Specs	Drago PAR20	Drago PAR30	Drago PAR38
General Information	Socket Type	E27	E27	E27
	Life Span	50,000Hrs	50,000Hrs	50,000Hrs
	Dimension(mm)	85x60	105x95	130x120
	Weight (kg)	0.11	0.16	0.265
Light Characteristics	Lumens (lm)	500-600	600-800	1055-1400
	Efficacy (lm/w)	85lm/W	85lm/W	87lm/W
	Beam Angle	20°-60°	20°-60°	20°-60°
	CCT (K)	2700K-6000K	2700K-6000K	2700K-6000K
	CRI	>80	>80	>80
Electrical Characteristics	Wattage (W)	6W	8W,10W	12W,16W
	Input Voltage (VAC)	110,220,100-220	110,220,100-220	110,220,100-220
	Power Factor	0.9	0.9	0.9
IP Rating		IP54	IP54	IP54
Warranty		3 yrs	3 yrs	3 yrs



Comet PAR 30 Polar Candela and Illuminance @ a distance

PAR Lights

www.u-tron.com



Product Part Numbers

Part Number	Product Name	Wattage	CCT
6870-P04-27Q506UNE27D	Comet Par20	6W	2700K-3000K
6870-P04-40R406UNE27D			4000K
6870-P04-50R506UNE27D			5000-6000K
6870-P07-27Q508UNE27D	Comet PAR30	8W	2700K-3000K
6870-P07-40R408UNE27D			4000K
6870-P07-50R508UNE27D			5000-6000K
6870-P12-27Q508UNE27D	Comet PAR38	12W	2700K-3000K
6870-P12-40R408UNE27D			4000K
6870-P12-50R508UNE27D			5000-6000K

PAR Lights

Retrofit Value

LED	Replacement Value	CCT	Flux	Diameter	Height	Life Expectancy
6W	60W	White	600lm	60	85	15000h
8W	60W	Warm	600lm	95	122	15000h
10W	70W	Warm/White	800lm	95	122	15000h
12W	85W	Warm/White	1055lm	118	158	15000h
16W	120W	Warm/White	1400lm	118	158	15000h



Bulb Types	Power	Brightness	Life Expectancy
<p>LED</p>			
<p>CFL</p>			
<p>Incandescent</p>			

PAR Lights



PAR Lights Ordering

68D2 -	P04 -	27	WW	6	UN	E27	D
Lamp Category							
68D2= Drago PAR30							
68D3= Drago PAR28							
Number of LED							
P04= 4 pc Cree LED							
P06= 6 pc Cree LED							
P08= 8 pc Cree LED							
P10= 10 pc Cree LED							
P12= 12 pc Cree LED							
Correlated Color Temperature							
27 = 2700K-3000K							
40 = 4000K							
50 = 5000K-6000K							
LED Type							
WW = Warm White							
NW = Neutral White							
CW = Cool White							
Wattage							
6 = 6 Watts 12= 10W							
8 = 8 Watts 16= 12W							
10= 10W							
Voltage							
US = 110V							
EU = 220V							
UN = 100-220V							
Socket Type							
E27 = E27 Socket							
B22= B22 Socket Type							
Dimming Function							
D = Dimmable							
N = Non-Dimmable							

Guide